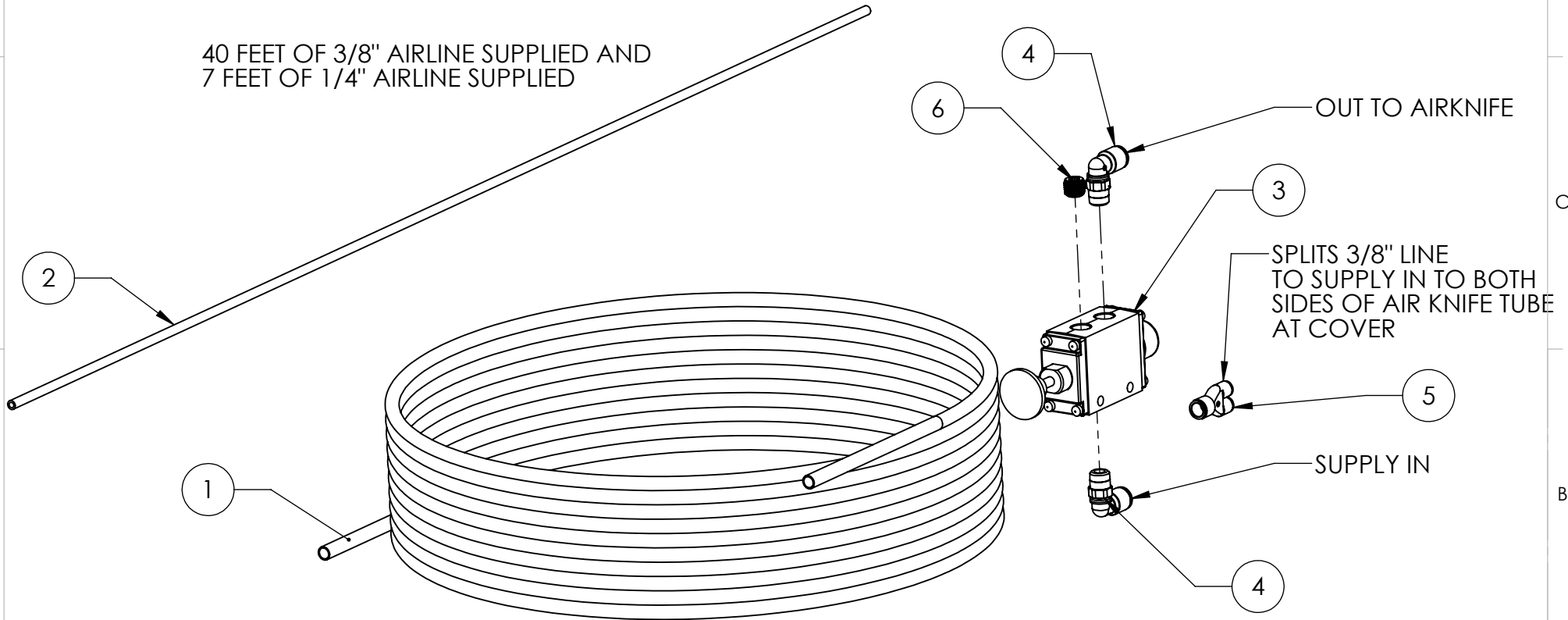


ITEM NO.	PART NUMBER	DESCRIPTION	QTY.
1	102543-BL	3/8" AIRLINE BLACK	1
2	102544-R	1/4" AIRLINE RED	1
3	103880	Nugget Valve, Palm Button S.R.	1
4	103882	1/4 NPT X 3/8 TUBE ELBOW	2
5	103881	1/4 TUBE X 3/8 TUBE Y	1
6	103883	1/4 NPT SOCKET PLUG	1

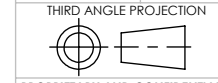
40 FEET OF 3/8" AIRLINE SUPPLIED AND
7 FEET OF 1/4" AIRLINE SUPPLIED



REVISIONS			
REV.	DESCRIPTION	DATE	APPROVED
A	CHANGED ITEM DESCRIPTION	9/20/2012	CL

UNLESS OTHERWISE SPECIFIED:
DIMENSIONS IN INCHES
TOLERANCES:
LINEAR
X.XX ±.015
X.XXX ±.005
ANGULAR ±1°

NAME	DATE
DRAWN IS-CJL	12/5/11
ENG APPR. IS-CJL	12/5/11
MFG APPR.	



PROPRIETARY AND CONFIDENTIAL
THE INFORMATION CONTAINED IN THIS DRAWING IS THE SOLE PROPERTY OF PIVOTAL EDGE. ANY REPRODUCTION IN PART OR AS A WHOLE WITHOUT THE WRITTEN PERMISSION OF THE PIVOTAL EDGE IS PROHIBITED.
103884



TITLE: Manual Airknife Assembly

SIZE	DWG. NO.	REV
A	103884	A

MASS LB SHEET 1 OF 1