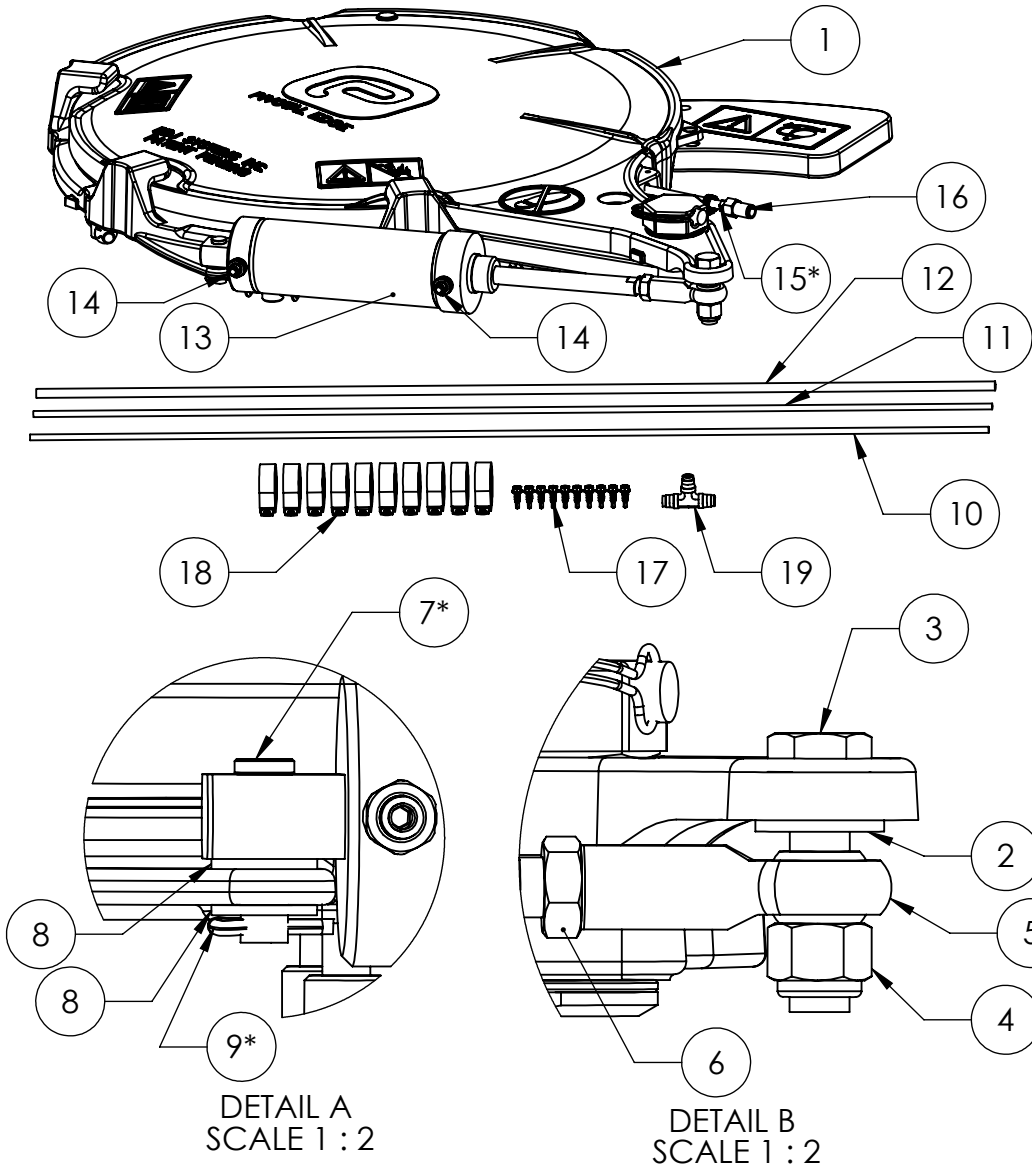
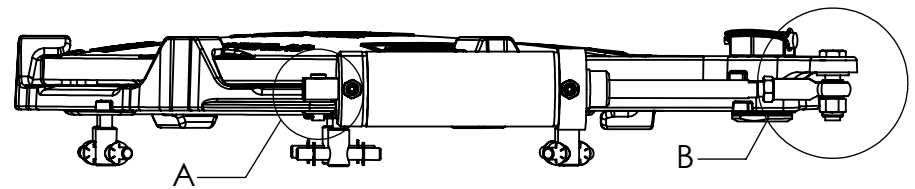


REVISIONS			
REV.	DESCRIPTION	DATE	APPROVED
A	CHANGED ITEM DESCRIPTIONS	9/20/2012	CL
B	CHANGED P/N: USED TO BE 103843 MULTI, 103843 CHANGED TO 103843-EOS	9/26/2012	CL

- NOTES:
- AIRLINE LENGTHS ARE 40 FEET EACH
 - * DENOTES ITEMS THAT COME WITH CYLINDER OR SEAL

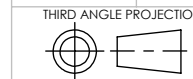


ITEM NO.	PART NUMBER	DESCRIPTION	Default/ QTY.
(A) 1	103672	BASE COVER ASSEMBLY	1
2	103851	WASHER, 5/8" SAE	1
3	103828	BOLT, 5/8-11 X 2.50 GR5	1
4	103826	NUT, NYLOC 5/8-11	1
5	103825	ROD END, 5/8 FEMALE	1
6	103824	JAM NUT, 5/8-18	1
7*	103870	PIN, CYLINDER	1
8	103688	WASHER, FLAT 14MM	2
9*	103871	COTTER PIN	1
10	102544-RD	1/4" AIRLINE RED	1
11	102544-YW	1/4" AIRLINE YELLOW	1
12	102543-BL	3/8" AIR LINE BLACK	1
13	103878	CYLINDER, AIR 3 x 6	1
14	103857	3/8 NPT X 1/4 TUBE DOT	2
15*	103893	3/16 BARB X 1/8 NPT MALE	1
16	102577	1/8 NPT FEM. X 3/8 TUBE	1
17	103753	Screw, #12 x 3/4 Self-Drilling	10
18	103773	ADEL CLAMP, 1"	10
19	102540	3/8 TUBE TEE DOT	1



UNLESS OTHERWISE SPECIFIED:
 DIMENSIONS IN INCHES
 TOLERANCES:
 LINEAR
 X.XX ±.015
 X.XXX ±.005
 ANGULAR ±1°

NAME	DATE
DRAWN IS-CJL	9/12/12
ENG APPR. IS-CJL	9/12/12
MFG APPR.	



THIRD ANGLE PROJECTION
PROPRIETARY AND CONFIDENTIAL
 THE INFORMATION CONTAINED IN THIS DRAWING IS THE SOLE PROPERTY OF PIVOTAL EDGE. ANY REPRODUCTION IN PART OR AS A WHOLE WITHOUT THE WRITTEN PERMISSION OF PIVOTAL EDGE IS PROHIBITED.
 103843



TITLE: P-ACTUATOR ASSY

SIZE	DWG. NO.	REV
A	103843	B
MATERIAL		SHEET
FINISH		1 OF 1