

5

4

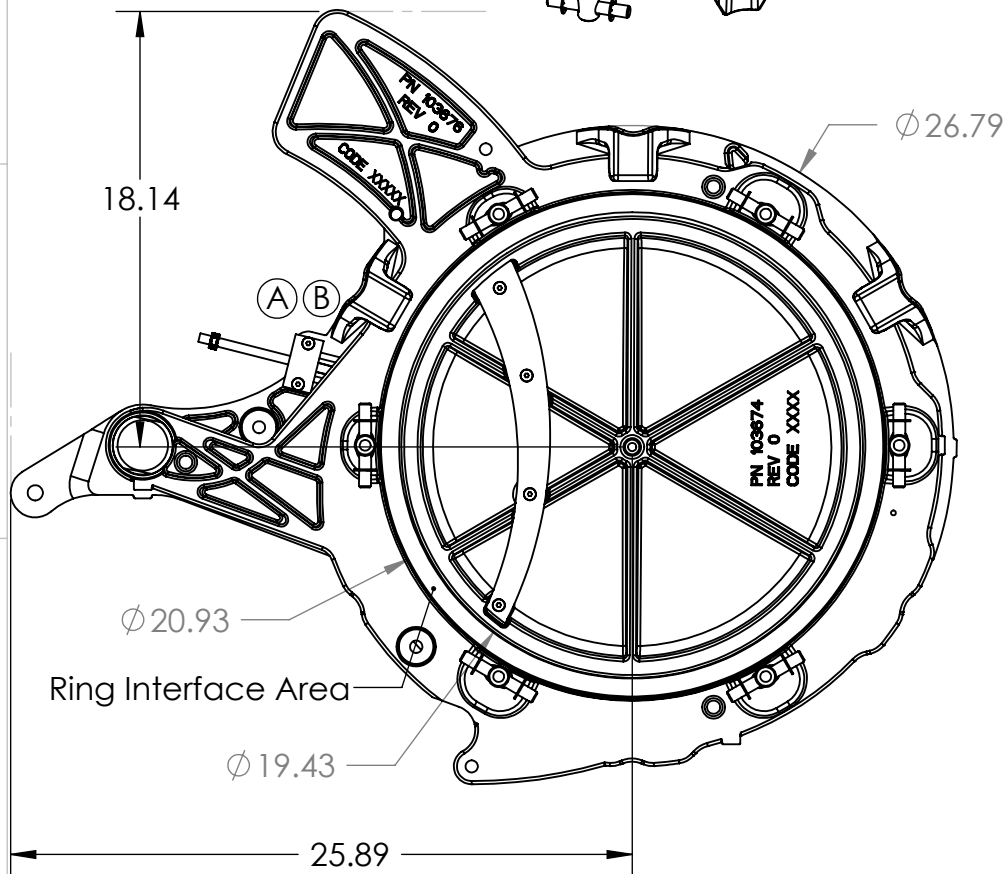
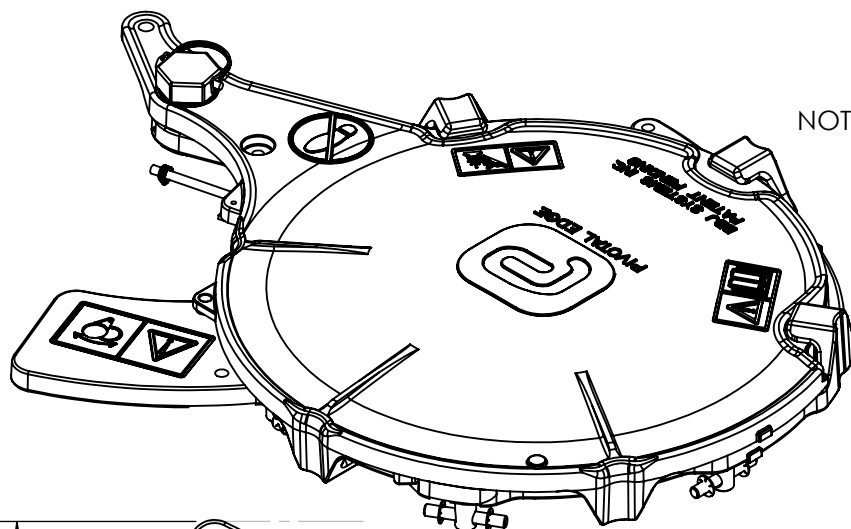
3

2

1

REVISIONS			
REV.	DESCRIPTION	DATE	APPROVED
A	ADDED SUPPORT BRACKET, REMOVED FITTING FROM ASSY, UPDATED PICTORALLY	1/9/2012	CL
B	ADDED NOTE, CHANGED ITEM DESCRIPTIONS, CHANGED HOSE RETAINER	9/27/2012	CL

NOTE: \* FOR 2 BAR ASSEMBLIES, THESE ITEMS WILL BE REPLACED WITH 103860 (NUT) AND 103861 (PIN)  
 \*\*SHIPS WITH SEAL  
 \*\*\*FOR AIR KNIFE APPLICATIONS, THIS WILL BE REPLACED WITH P/N: 103892



ITEM NO.	PART NUMBER	DESCRIPTION	Default/ QTY.
1	104220	FLANGE, CAST & MACHINED	1
2	104210	COVER, CAST & MACHINED	1
3	103755	HINGE PIN CAP	1
4	103751	PUSH NUT, 1/2"	12
5	103735	SCREW, CS 1/4-20 X .5	8
6	103734	BOLT, 1/2-20 X 1.75	6
7	103731	BUSHING, COVER	1
8	103730	BUSHING, FLANGE	1
9	103691	HINGE PIN D-RING	1
10	103688	WASHER, FLAT 14MM	6
11	103687	HINGE PIN CSTL NUT	1
12	103679	HINGE PIN	1
13	103678	HINGE PIN THRUST WASHER	4
14	102665	SLIDER, COVER	1
15	102664	SLIDER, FLANGE	1
16*	102596	PIN, CLEVIS 1/2" DIA	6
17*	102595	NUT, CLEVIS 1/2" DIA	6
18**	102502	HOSE CLAMP, INFLATION TUBE	1
19	102500	GASKET, FLANGE SEAL	1
20	102495	CABLE TIE, HEAVY DUTY	27
21	102419	SEAL, INFLATABLE	1
22***	103901	HOSE RETAINER	1

UNLESS OTHERWISE SPECIFIED:  
 DIMENSIONS IN INCHES  
 TOLERANCES:  
 LINEAR  
 X.XX ±.015  
 X.XXX ±.005  
 ANGULAR ±1°

NAME	DATE
DRAWN IS-CJL	4/13/10
ENG APPR. IS-CJL	4/13/10
MFG APPR.	

THIRD ANGLE PROJECTION

PROPRIETARY AND CONFIDENTIAL  
 THE INFORMATION CONTAINED IN THIS DRAWING IS THE SOLE PROPERTY OF PIVOTAL EDGE. ANY REPRODUCTION IN PART OR AS A WHOLE WITHOUT THE WRITTEN PERMISSION OF PIVOTAL EDGE IS PROHIBITED.

MATERIAL

FINISH

TITLE:

BASE COVER ASSEMBLY A

SIZE

DWG. NO.

A

103672

REV

B

MASS  
LBSHEET  
1 OF 2

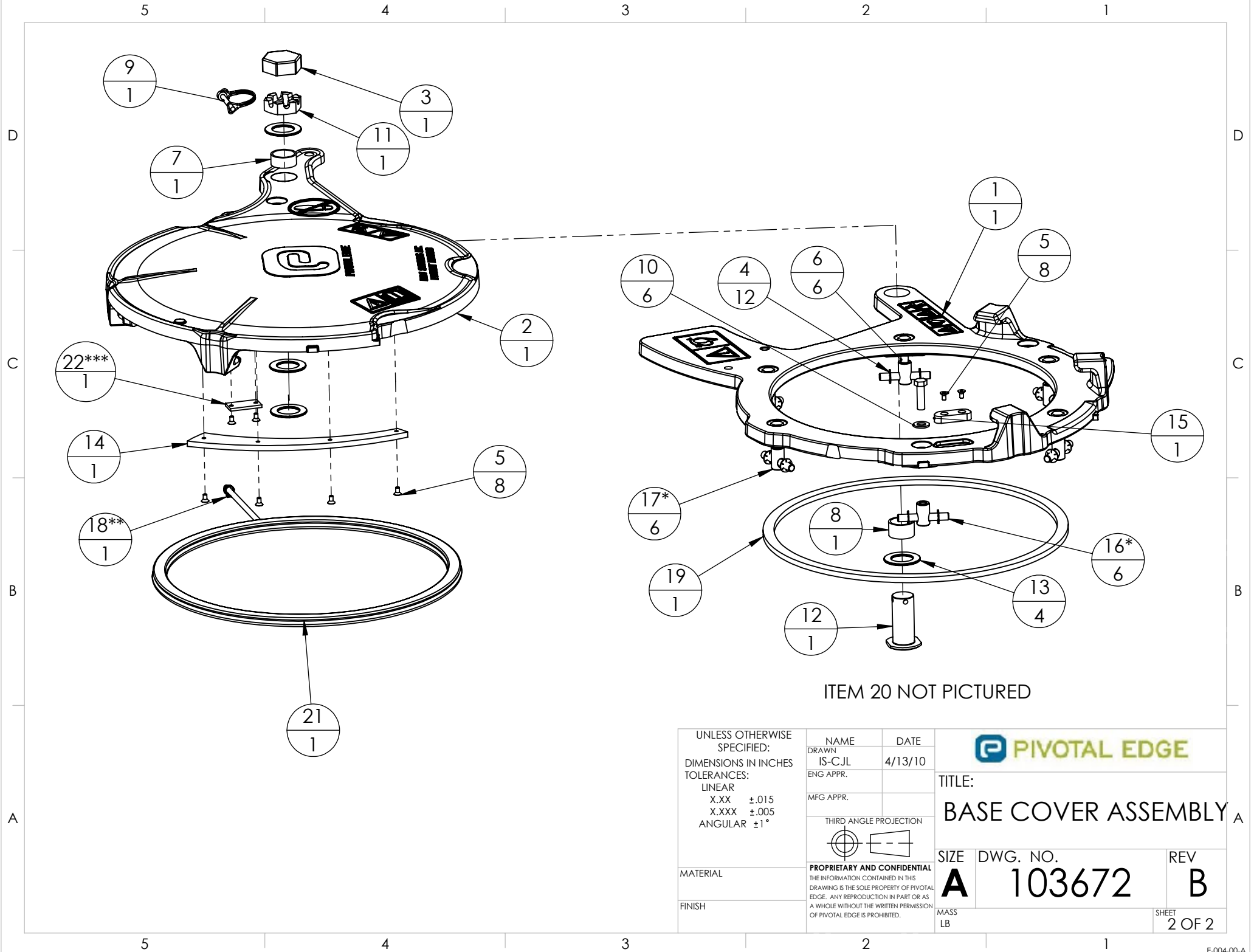
5

4

3

2

1



ITEM 20 NOT PICTURED

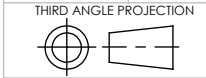
UNLESS OTHERWISE SPECIFIED:  
 DIMENSIONS IN INCHES  
 TOLERANCES:  
 LINEAR  
 X.XX ±.015  
 X.XXX ±.005  
 ANGULAR ±1°

NAME	DATE
DRAWN IS-CJL	4/13/10
ENG APPR.	
MFG APPR.	



TITLE:  
**BASE COVER ASSEMBLY**

MATERIAL



**PROPRIETARY AND CONFIDENTIAL**  
 THE INFORMATION CONTAINED IN THIS DRAWING IS THE SOLE PROPERTY OF PIVOTAL EDGE. ANY REPRODUCTION IN PART OR AS A WHOLE WITHOUT THE WRITTEN PERMISSION OF PIVOTAL EDGE IS PROHIBITED.

SIZE	DWG. NO.	REV
<b>A</b>	<b>103672</b>	<b>B</b>

FINISH

MASS LB

SHEET 2 OF 2